

EXECUTIVE DIRECTOR &
DISTRICT ENGINEER
MATTHEW A. LARSON, P.E., J.D.

WHEATON SANITARY DISTRICT

1S649 SHAFFNER ROAD
WHEATON, ILLINOIS 60189

PHONE: 630.668.1515

FAX: 630.668.5536

WWW.WSD.DST.IL.US

MAINTENANCE SUPERVISOR
JASON ACKMANN

IT MANAGER
DANIEL ROGERS

ACCOUNTS & FINANCIAL MANAGER
MICHELE SALEMI

SENIOR MANAGER OF OPERATIONS
DENNIS HAILE

AP/HR ADMINISTRATOR
BERNADETTE JEFFERSON

ATTORNEY
ROGER A. RITZMAN

TRUSTEES
SARAH L. CZAPLICKI
BARBARA INTIHAR
JEFFREY R. WALKER

CONSTRUCTION STANDARDS (r.01/25/2025)

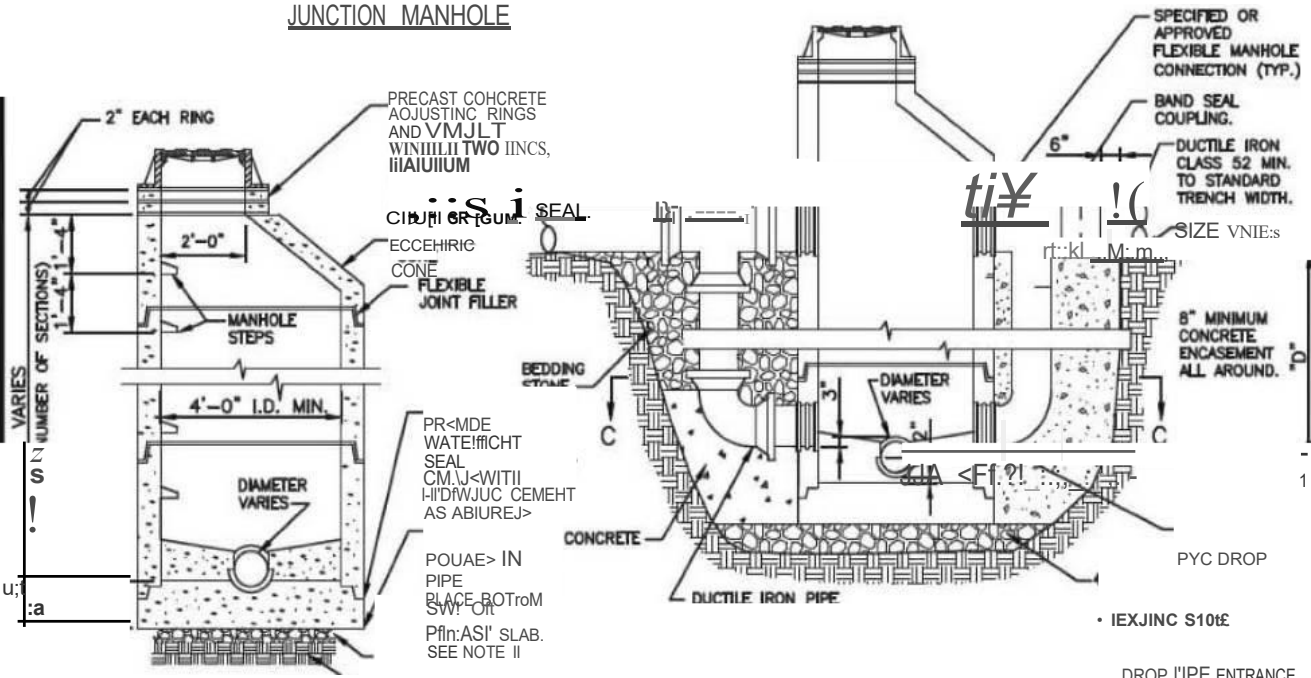
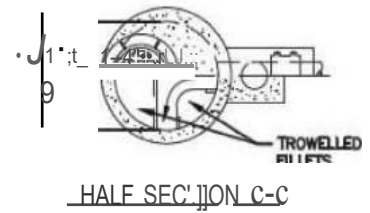
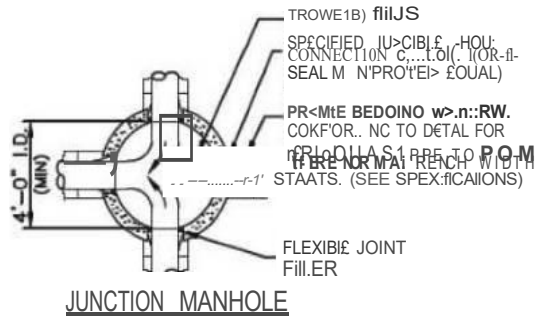
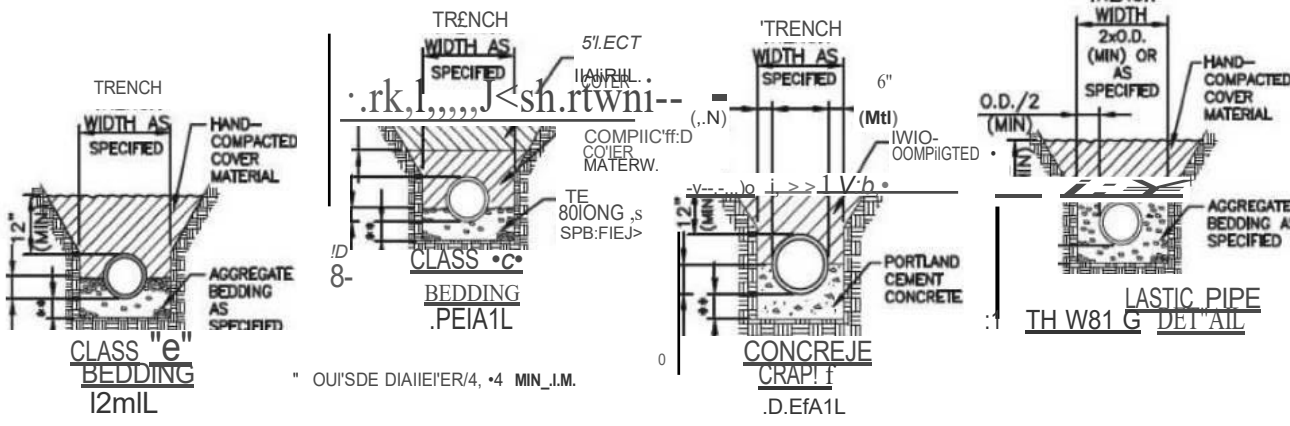
Sewers shall be installed in accordance with the latest edition of “Standard Specifications for Water and Sewer Main Construction in Illinois”.

- INSPECTION:** Twenty-four (24) hour notice is required for weekday inspections; forty-eight (48) hour notice for Saturday inspections. All joints and connections must remain open until inspected.
- MATERIALS:** Sewer: P.V.C. S.D.R. 26 ASTM D-2241
All connections shall be made with non-shear mission couplings with stainless steel bands
- PIPE SIZE:** House Connection – 6” Minimum
Minimum Grade – 1%
Sewer Main – 8” Minimum
Minimum Grade – 0.40
- SEWER TAPS:** Must be machine tapped using approved P.V.C. S.D.R. 26 saddle with stainless steel bands or stainless-steel saddle hub.
- LATERAL CONNECTION:** Must be 2241 S.D.R. 26 P.V.C. T’s, Wyes are not allowed
- LATERAL LOCATE:** Lateral must be locatable by electromagnetic means or other equally effective means for marking the location of the service lateral
- BEDDING MATERIAL:** IDOT “Standard Specifications” gradation CA-6, or 3/4”.
Four inch (4”) minimum under and six inch (6”) over pipe.
Must be firmly spaded on both sides.
- HOUSE CONNECTIONS:** Sanitary Service must enter through the foundation wall and not below the footing. Services that enter a new building above a finished basement or crawl space floor will be allowed to be installed before the roof has been constructed. Incoming pipe must be sealed with a non-removable cap.
- SUMP PUMPS:** Footing drains, window wells and other storm water drainage are not permitted to discharge into sanitary sewers.

- SEWER EXTENSION:** When a sewer has to be extended in order to service a property, the newly installed sanitary sewer must extend to the farthest property line.
- SEWER TESTING:** All sewers eight (8") and larger must pass the standard diameter/length air test before acceptance. Flexible thermoplastic sewers must be deflection tested before acceptance. All sewers must be internally inspected using TV and tapes supplied to the District in digital format.
- WATERTIGHT:** Watertight manhole covers shall be used. Pick holes shall be of the cancelled type no larger than 1 inch in diameter. Construction lifting holes on manhole rings shall be plugged from the outside and the exterior and joints of the manhole elements shall be waterproofed. Precast inlet and outlet connections fitted with "O" rings or other equally watertight connections shall be provided.
- MANHOLE TESTING:** The specifications shall include a requirement for inspection and leakage testing of all manholes for water tightness in accordance with ASTM C969-94 – "Standard Practice for Infiltration and Exfiltration Acceptance Testing of Installed Precast Concrete Pipe Sewer Lines," Vol. 04.05, Chemical Resistant Materials, Vitrified Clay, Concrete, Fiber-Cement Products; Mortars; Masonry (1996) (no later editions or amendments) or ASTM C1244-93 "Standard Test Method for Concrete Sewer Manholes by the Negative Pressure (Vacuum) Test", Vol. 04.05, Chemical Resistant Materials, Vitrified Clay, Concrete, Fiber-Cement Products; Mortars; Masonry (1996) (no later editions or amendments) prior to placing into service.
- INSPECTION FEES:** \$160.00 paid at time connection permit is issued.
- JULIE MEMBERSHIP:** The Wheaton Sanitary District is a member of JULIE.

Protecting Public Health - Preserving the Environment

IAWPCO Class A Plant of the Year – 1988 & 2003
 NACWA Gold Peak Performance Award – 2004, 2012, 2013, 2014, 2015, & 2018
 NACWA Silver Peak Performance Award – 2005, 2006, 2007, 2008, 2009, 2010, 2011, 2016, & 2017
 Conservation Foundation Clean Water Award 1998, 2000, 2001, 2005, 2007, 2009, 2012, & 2016
 USEPA Region 5 Operations and Maintenance Award 1st Place – 2005
 USEPA Excellence in Operations & Maintenance Award 2nd Place – 2005



INSIDE DIA.	DEPTH	REINF.
4'	≤ 30'	#3@8"
5'	≤ 20'	#3@8"
5'	20'-30'	#4@10"
6'	≤ 20'	#4@10"
6'	20'-25'	#4@8"
6'	25'-30'	#4@6"

1. DETAILS RELATIVE TO THIS DRAWING SHALL CONFORM TO THE PERTINENT REQUIREMENTS OF THE SPECIFICATIONS AND THE APPLICABLE PROVISIONS.
2. VARIATIONS IN DIMENSIONS AND DESIGN MAY BE PERMISSIBLE, PROVIDING EQUIVALENT CAPACITY AND STRENGTH ARE ATTAINED.
3. ALL CONCRETE SHALL BE HAND TROWELED WITH A 1/4" FT. SLOPE.
4. INSIDE DIMENSIONS FOR MANHOLLS: USE MINIMUM DIAMETER FOR SEWER LESS THAN 18" IN DIAMETER; USE MINIMUM 5" DIAMETER FOR SEWER 18" THROUGH 24" IN DIAMETER; USE MINIMUM 6" DIAMETER OR MINIMUM 6' SQUARE FOR SEWER OVER 24" IN DIAMETER.
5. BEDDING CLASS "S" 8" AND "C" SHALL MEET OR EXCEED ASTM C12 REQUIREMENTS.
6. DROP TYPE ENTRANCE TO STANDARD MANHOLE SHALL BE PROVIDED SEPARATELY IF SO LISTED IN THE 810.
7. SEE DRAWINGS FOR DROP TYPE ENTRANCES FOR SANITARY SEWERS LARGER THAN 15".
8. ALL WORK SHALL BE DONE IN ACCORDANCE WITH THE REQUIREMENTS OF REGULATORY BODIES OF THE STATE AND APPLICABLE MUNICIPAL ORDINANCES.
9. ALL NEW CONSTRUCTION SHALL BE DONE ON UNDISTURBED EARTH OR STONE BEDDING.
10. FUTURE SLAB TOPS SHALL BE DESIGNED FOR H-20 TRUCK LOADING AND SHALL MEET REQUIREMENTS OF ASTM C-478.
11. BASE SLABS SHALL BE REINFORCED AS FOLLOWS; REINFORCING SHALL BE PLACED IN EACH SECTION AT 2" SPACING FROM TOP SURFACE OF SLAB, REINFORCING SHALL BE CRACE 60. USE OF CAST-IN-PLACE SLAB SHALL NOT RELIEVE CONTRACTOR OF REQUIREMENTS TO PROVIDE WATERTIGHT JOINTS.
12. FUTURE SLOTTED WALLS SHALL BE PROVIDED IN LOW DEPTH SITUATIONS IN LIEU OF ECCENTRIC CONES.

DROP TYPE ENTRANCE OPTIONS JO STANDARD MANHOLE

STANDARD PRECAST MANHOLE

9
 51
 1
 2
 3
 4
 5
 6
 7
 8
 9
 10
 11
 12
 13
 14
 15
 16
 17
 18
 19
 20
 21
 22
 23
 24
 25
 26
 27
 28
 29
 30
 31
 32
 33
 34
 35
 36
 37
 38
 39
 40
 41
 42
 43
 44
 45
 46
 47
 48
 49
 50
 51
 52
 53
 54
 55
 56
 57
 58
 59
 60
 61
 62
 63
 64
 65
 66
 67
 68
 69
 70
 71
 72
 73
 74
 75
 76
 77
 78
 79
 80
 81
 82
 83
 84
 85
 86
 87
 88
 89
 90
 91
 92
 93
 94
 95
 96
 97
 98
 99
 100